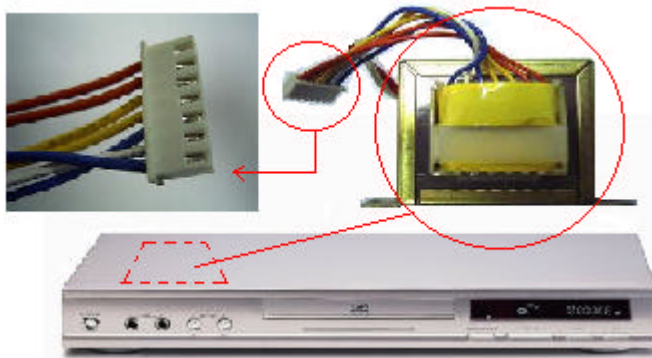


Power Transformer for DVD Player

Descriptions:

This power transformer is designed for DVD player which contains triple outputs supply to DVD Rom, power board and LCD display. The transformer approved to UL-6500 and EN 60065 standards for Audio equipment used. Its output connection terminated a 7P 2.5mm housing connector for quick installation.



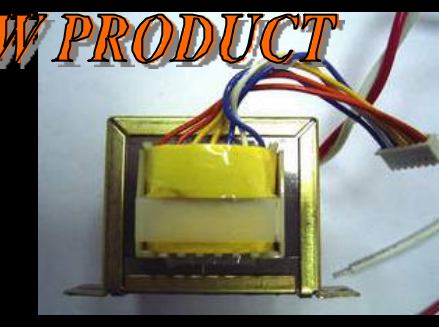
Specifications Model: YD-6019 / YD-6020

No#	Specification	Requirements
1	Exciting current (I _o)	100 mA Max. at rated input voltage without secondary load.
2	Dielectric strength	Primary to Secondary & Core: 3.75 KV 60 Hz for one minute
	Cut-off current: 1 mA Max.	Secondary to Core: 0.5 KV 60 Hz for one minute
3	Insulation test	500 VDC 100 M Min. between primary winding to secondary winding & core
4	Temperature rise	70 deg Max. for primary winding (By resistance method). At ambient temp. 25
5	Humidity test	6 hours in 40+/-2, ambient temperature at 90-95 % RH.

	Input voltage	Model No#	Approval No#
UL/CSA type	120Vac 60Hz	YD-6019	E231388
TUV type	230Vac 50Hz	YD-6020	R-50018492



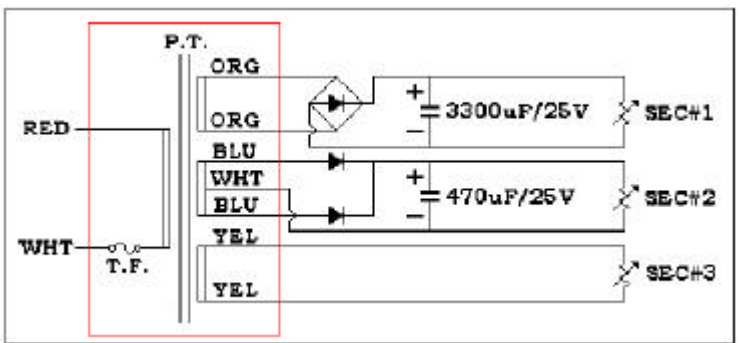
NEW PRODUCT



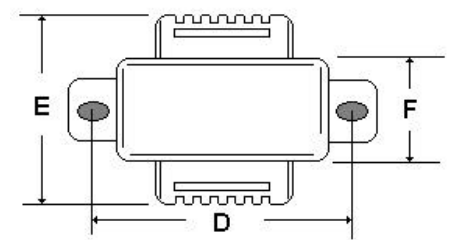
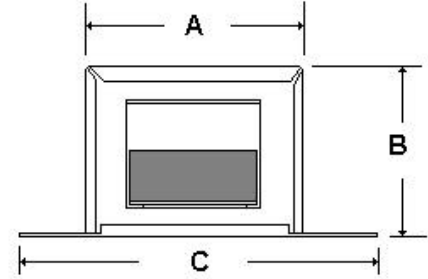
- FEATURES:**
- Double insulation
 - UL6500/EN60065 Comply
 - Easy to install
 - High efficiency
 - Compact size
 - Low heat generation



Circuit drawing / Output ratings



Lead or color	Rated voltage	Rated current
ORG ~ ORG (SEC#1)	DC 18.5 V + 0.5 / - 0.3 V	IDC 0.65 A
BLU ~ WHT ~ BLU (SEC#2)	DC 16 V + 0.5 / - 0.3 V	IDC 0.12 A
YEL ~ YEL (SEC#3)	AC 4.2 V +/- 0.3 V	IAC 0.15 A



Dimensions in mm

Item	Dimensions
A	59.0 mm
B	51.0 mm
C	83.0 mm
D	72.0 mm
E	56.0 mm Max.
F	28.0 mm

Input wire: 370mm long RED/WHITE strip & Tins. AWG#22/2C UL 1617 double insulation lead.

Output wire: 80mm long with 2.5mm 7P housing terminals, AWG#22/7C UL 1007 wire. (lead colors show as circuit drawing)